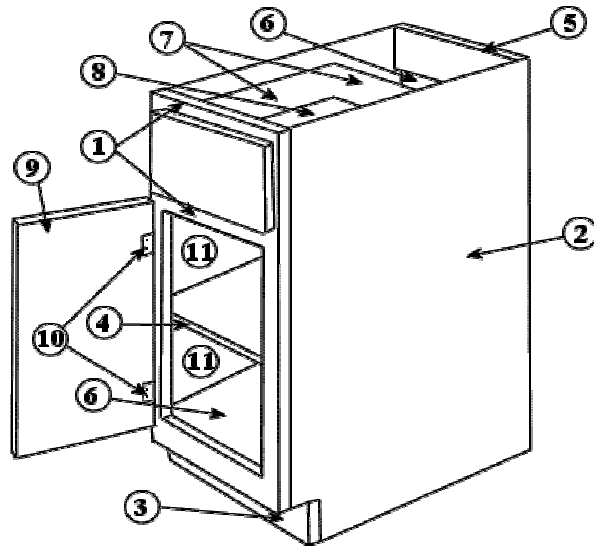


Specifications of a Standard Mikada Cabinet



1. Face frames are solid wood covered with high pressure laminate.
2. End panels are 1/2" seal coated 30 gram paper particle board, dadoed into face frame.
3. Toe kicks are solid wood or plywood.
4. Shelves are 1/2" seal coated 30 gram paper particle board taped on all exposed edges and dadoed into sides.
5. Nailers are solid wood.
6. Backs are 1/8" masonite hardboard. Bottoms of base cabinets and vanity cabinets are all print-sealed 1/2" seal coated 30 gram paper particle board.
7. Drawer sides are 1/2" or 7/16" medium density print-sealed fiberboard rollers with dual teflon guides.
8. Drawer bottoms are print-sealed 3/16" or 1/8" masonite hardboard.
9. Door and drawer fronts are thermofoil, melamine with tape edge, or solid stained wood.
10. Hinges are a fully concealed (currently we use Ferrari concealed hinges).
11. Interiors are coated 30 gram paper.