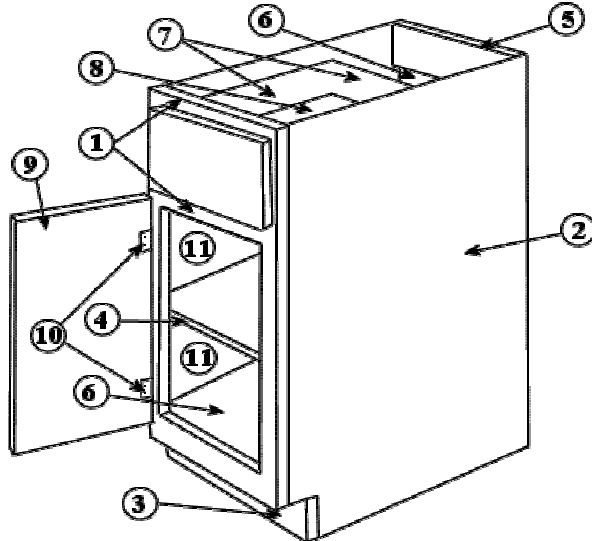


Specifications of a Typical Mikada Plywood Cabinet



1. Face frames are solid wood.
2. End panels are 1/2" plywood, dadoed into face frame.
3. Toe kicks are solid wood or plywood.
4. Shelves are 1/2" plywood and taped on all exposed edges.
5. Nailers are solid wood.
6. Backs are 1/4"plywood. Bottoms of base kitchen and vanity cabinets are all 1/2" plywood.
7. Drawer sides are plywood..
8. Drawer bottoms are plywood.
9. Door and drawer fronts are thermofoil, melamine with tape edge, or solid stained wood.
10. Hinges are a fully concealed (currently we use Ferrari concealed hinges).
11. Interiors are light maple.