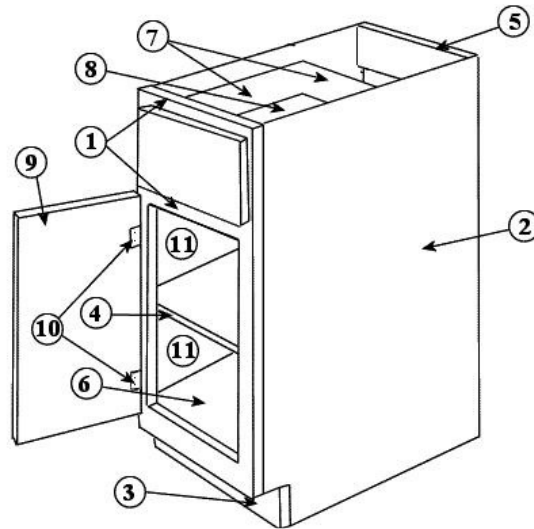


## Specifications of a Typical Frameless Commercial Cabinet



1. Face frames are Euro Style (doors and drawers are full cover).
2. End panels are 5/8" melamine surfaced panels with 1/4" groove to receive cabinet backs.
3. Toe kicks (if applicable) are 3/4" solid wood.
4. Shelves are adjustable 5/8" melamine and edgebanded.
5. Backs are 1/4" melamine surface hardboard captured in groove on all 4 sides for stability with 3/4" hard wood nailers.
6. Bottoms are 5/8" melamine
7. Drawer sides are Blum Metabox sides and slides.
8. Drawer bottoms and backs are 5/8" melamine .
9. Doors and drawer fronts are 3/4" melamine surface industrial board with plastic laminate (color TBD) on all edges and outer face.
10. Hinges are a Blum 120 degree concealed with 3-way adjustments.
11. Interiors are laminated melamine.